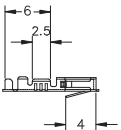


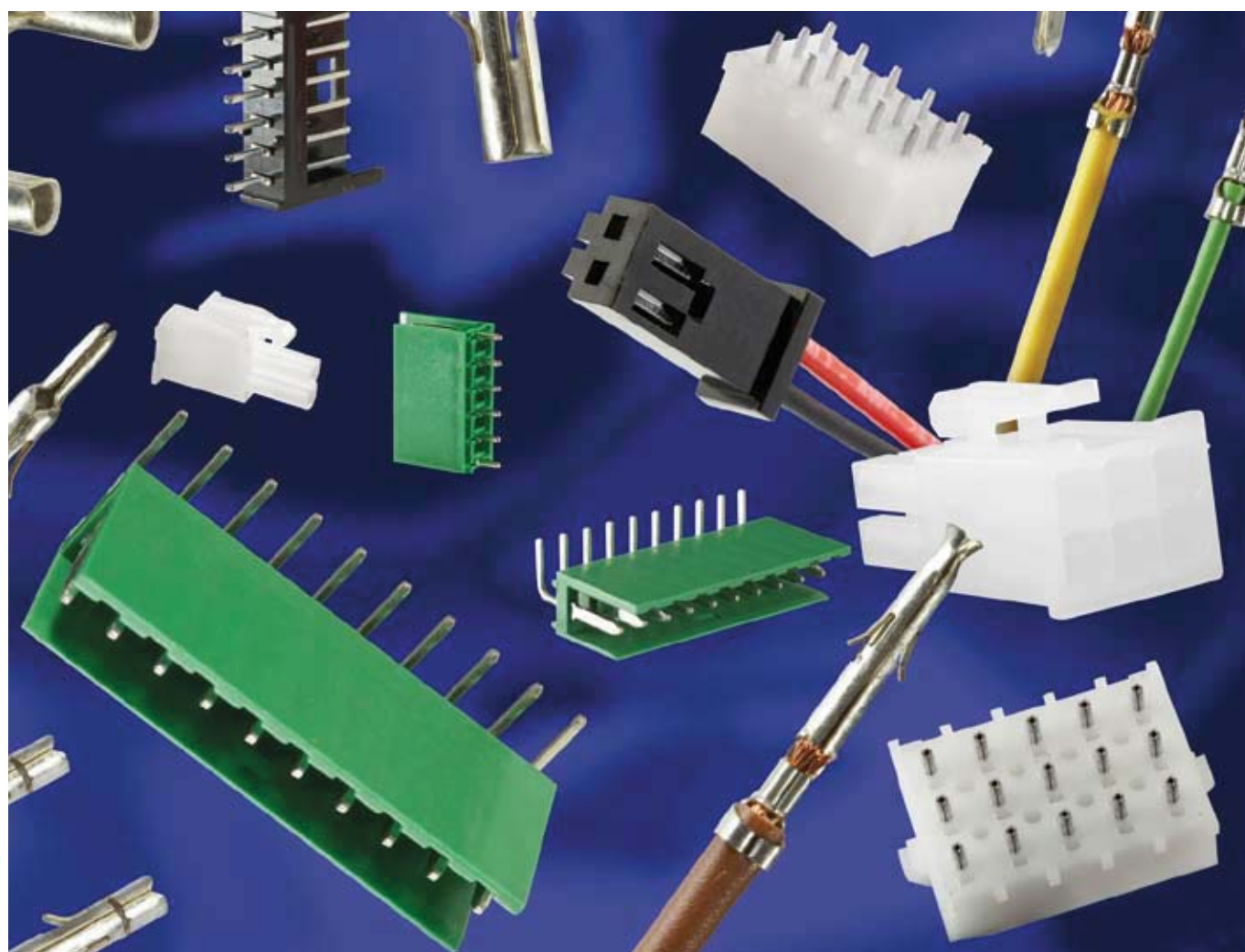
Centerline 2,54

receptacles for pin 0,63 mm x 0,63 mm

UP-MOD Terminals



Figure	Wire size mm ² (AWG)	Ø Insulation (mm)	Tab thickness (mm)	Part number	Brass	Brass Pre-Sn	Brass Sn	Bronze	Bronze Pre-Sn	Bronze Sn	Steel Ni	Material thickness (mm)	Parts x reel
					00	01	02	30	31	32	24		
	0,04-0,08	0,64-1,27		8704.					•			0,22	20.000
	0,13-0,32 (26-22)	0,9-1,55		8706.					•				

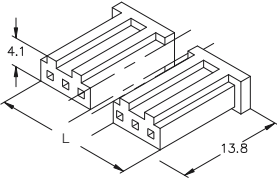
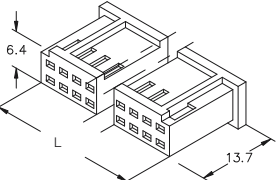
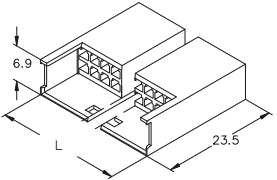
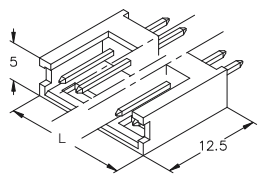
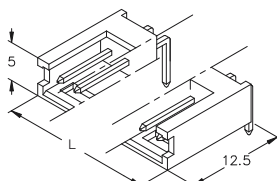


Centerline 2,54

receptacles for pin 0,63 mm x 0,63 mm

UP-MOD Terminals

2,54 Connectors

Figure	Part number	PC UL94V2		Colour	Num.of ways
		PC EV UL94-V0			
	2250215	•		Black	2
	2250415	•			4
	2250615	•			6
	2250815	•			8
	2251015	•			10
	2251215	•			12
	2252215	•			22
	2250915	•		Black	8 (4x2)
	2251615	•			16 (8x2)
	2252415	•			24 (12x2)
	2254415	•			44 (22x2)
	2240215	•		Black	2
	2240415	•			4
	2240815	•			8 (4x2)
	2241615	•			16 (8x2)
	2230215	•		Black	2
	2230415	•			4
	2230615	•			6
	2234215	•		Black	2
	2234415	•			4
	2234615	•			6

Centerline 3,96

receptacles for pin 0,8 mm x 1,6 mm

UP-MOD Terminals



Figure	Wire size mm ² (AWG)	Ø Insulation (mm)	Tab thickness (mm)	Part number	Brass	Brass Pre-Sn	Brass Sn	Bronze	Bronze Pre-Sn	Bronze Sn	Steel Ni	Material thickness (mm)	Parts x reel
					00	01	02	30	31	32	24		
	0,3-0,8 (22-18)	1,9-2,3		8708.					•			0,25	6.500
	0,5-1 (20-18)	2-2,8		8708H					•				
				8710.					•				

3,96 Connectors

Figure	Part number	PC UL94V2	PCFV UL94-V0	Colour	Num.of ways
	2390214		•	Green	2
	2390414		•	Green	4

Centerline 3,96

receptacles for pin 0,8 mm x 1,6 mm

UP-MOD Terminals

3,96 Connectors

Figure	Part number	PC UL94V2 PCFV UL94-V0	Colour	Num.of ways
	2390614	•	Green	6
	2390814	•	Green	8
	2391014	•	Green	10
	2391214	•	Green	12
	2400214	•	Green	2
	2400414	•		4
	2400614	•		6
	2400814	•		8
	2401014	•		10
	2401214	•		12
	2410214	•	Green	2
	2410414	•		4
	2410614	•		6
	2410814	•		8
	2411014	•		10
	2411214	•		12